

Kubota®

KUBOTA UTILITY VEHICLE

RTV500



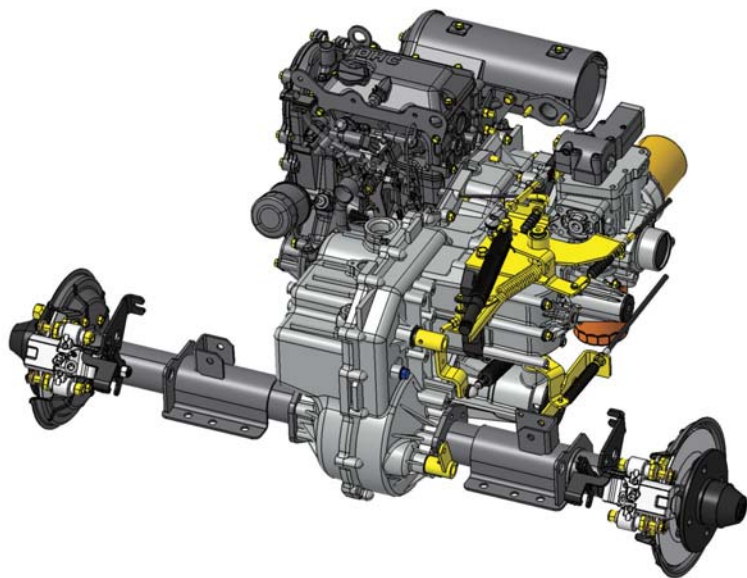
*This information is sourced from overseas and may not necessarily apply locally. It is essential that you confirm specifications and other information with your local Kubota dealer.

The all-new RTV500—advanced technology from Kubota delivers exceptional performance and reliability in a compact size.

Whether you're tending a park, hunting in the woods, or simply roaming your property, let Kubota's new RTV500 take you wherever you need to go. This quiet utility vehicle features Kubota's new liquid-cooled EFI Petrol engine, a new variable hydrostatic transmission, and more—all packed into a compact body. Used for a variety of applications, it's powerful and rugged enough to handle hills and uneven terrain, yet it can fit onto a full-size pickup truck, so you can take it with you. With all of this and more, you can rest assured that the high-performance RTV500 is always at the ready, no matter where you want to go.

Kubota Liquid-cooled EFI Petrol Engine

The RTV500's new 15.8-horsepower, 2-cylinder Kubota petrol engine is liquid-cooled to ensure reliability and minimize noise and vibration, reducing operator fatigue and increasing efficiency. The engine features an Electronic Fuel Injection (EFI) system that provides on-demand power, optimizes acceleration and enhances quiet operability. Plus, the EFI eliminates the need to adjust the carburetor—enabling better engine start-up in cold weather or after long-term storage, and improving engine serviceability.



VHT Plus (Variable Hydro Transmission)

Kubota's exclusive and innovative hydrostatic transmission eliminates the need to adjust belt drives and provides the RTV500 with an exceptional level of performance, handling, and reliability under tough conditions. Ride the hills with quick acceleration and smooth, engine-assisted deceleration. In addition, the VHT offers outstanding traction and impressive power, providing the muscle to take you almost anywhere.



Standard Frame-integrated ROPS



Shown with optional front guard.

nce



**Smooth, Reliable
Semi-independent
Rear Suspension**

Comfortable Operator Area

Get in and get going. The RTV500 features ergonomic, well-placed controls for easy operation, and a comfortable seat, so both the driver and passenger can enjoy a full day of work or play without fatigue. The low operator platform offers ample and obstacle-free legroom, so it's simple to step on or off.

Designed for Convenient Transportation

Kubota specifically designed the RTV500's compact frame to make it easy to load onto a full-size pickup truck or trailer, so you can take it wherever you go. It's ideal for camping, hunting, or any rugged outdoor adventure.



KUBOTA UTILITY VEHICLE

RTV500

Specifications

Model		RTV500	
Engine	Make	KUBOTA GZ460F-E3-UV	
	Type	2-Cylinder, 4-cycle, Petrol, OHC, water-cooled, EFI	
	Displacement	cc	456
	Horsepower	HP (kW)/rpm	15.8 (11.8)@3600
Exhaust system		Muffler with screen-type spark arrestor	
Fuel tank capacity		ℓ	20
Transmission		Variable hydro transmission (VHT)	
Max. Traveling speed		km/h	40
Wheels, drive system		Rear 2WD or 4WD Selection	
Differential lock		Standard; hand operated with mechanical holder	
Gear selection		Hi-Lo range forward, neutral, reverse	
Brakes	Front / Rear	Dry-disc brakes	
	Parking brake	Rear wheel, hand lever	
Steering		Rack & Pinion	
Suspension	Front / Rear	Independent, Mac-Pherson strut-type / Semi-independent, Multi-link	
	Length	mm	2690
Dimensions	Width	mm	1390
	Height, overall	mm	1829
	Front tread centers	mm	1016
	Rear tread centers	mm	1041
	Wheelbase	mm	1800
	Ground clearance front/rear axle	mm	205 / 175
	Turning diameter	m	2.13
Max. rolling weight (Towing capacity)		kg	500
Payload capacity		kg	430
Weight		kg	620
Cargo bed	Width Length Depth	mm	1032 × 856 × 290
	Volume	m ³	0.25
	Bed height (unloaded)	mm	810
	Cargo bed load	kg	200
Sound level, operator ear		A	83
Tyres	Front	24 × 9-12 HDWS, 6PLY	
	Rear	24 × 11-12 HDWS, 6PLY	
Body color		Orange	
Speedometer		Opt.	
Front guard		Opt.	
Headrest		Opt.	

The company reserves the right to change the above specifications without notice. This brochure is for descriptive purposes only. Please contact your local Kubota dealer for warranty and safety information. The values in "Ground clearance" and "Weight" are those of the machine equipped with the tires in the table above. Some RTVs in this brochure are shown with optional accessories. For off-highway use only.

KUBOTA Tractor Australia Pty Ltd

25-29 Permas Way, TRUGANINA Vic, 3029
 Freecall: 1800 334 653
 Email: sales@kubota.com.au

Web Site: <http://www.kubota.com.au>

CB Norwood Distributors Ltd

PO Box 1265, 888 Tremaine Avenue,
 Palmerston North 0800 KUBOTA
 Tel: 06 356 4920 Fax: 06 356 4939

Web Site: <http://www.kubota.co.nz>

